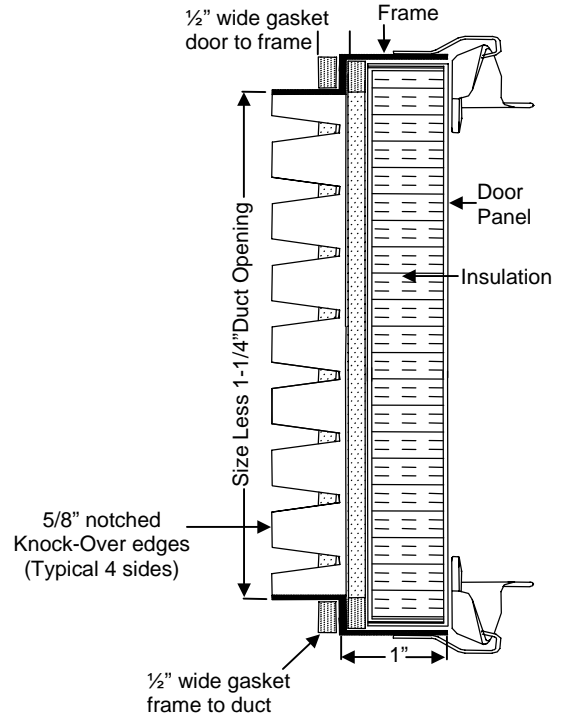


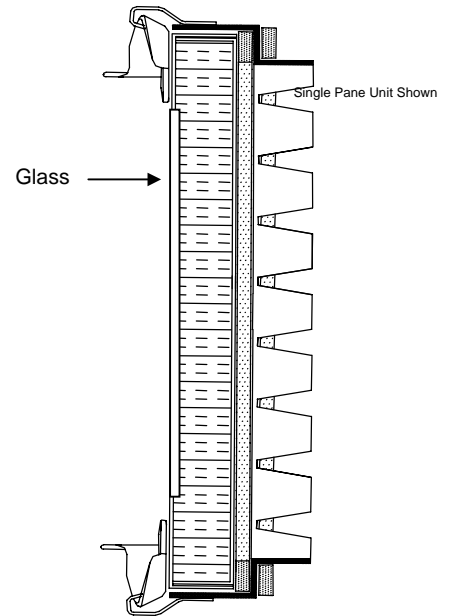
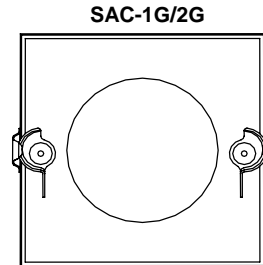
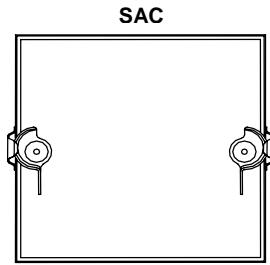
1" Insulated Access Doors

Standard Construction

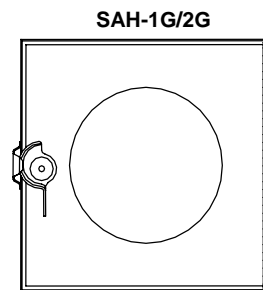
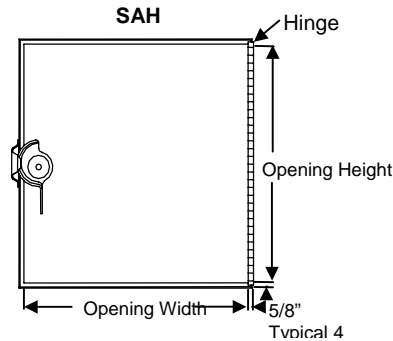
- Frame**
22 ga. Galv. Steel
- Door**
22 ga. Galv. Steel
- Insulation**
1" thick Fiberglass
- Gaskets**
Polyurethane
- Latches**
Zinc plated Sash-type with Zinc plated strikes
- Maximum Size**
24" x 24"
- Minimum Size**
6" x 6"
- Hinge**
Always furnished on height dimension
- See-thru models**
Single (-1G) or double pane glass (-2G)
Single (-1P) or double pane plexiglass (-2P)
Single (-1W) or double pane wire glass (-2W)
- Opening Sizes:**
6" x 6" thru 12" x 10" – 5" Dia.
12" x 12" thru 18" x 14" – 9" Dia.
16" x 16" thru 24" x 24" – 12" Dia.
- OPTIONS**
Available in stainless steel



Unit shown typical 16" x 16", larger sizes utilize 1 cam latch per side.



Unit shown typical 16" x 16", larger sizes utilize 2 cam latches.



DATE		ARCHITECT			CUSTOMER	
PROJECT						
ITEM	QTY	W	H	DESCRIPTION		