

Fabricated Roof Curbs Models FRC-GS

STANDARD CONSTRUCTION

SHELL

FRC-GS 18 gauge galvanized steel

BASE

FRC-GS 18 gauge galvanized steel

WOOD NAILER

As required, factory installed

FASTENERS

Welded Construction

INSULATION

3-lbs. per cu. ft. density, fiberglass insulation

THICKNESS (T)

1-5/8" standard, 3-1/2", 5-1/2"

MAXIMUM SIZE

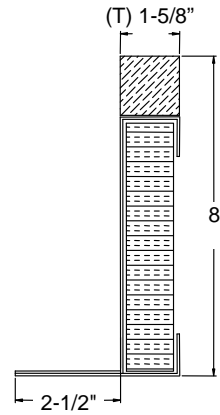
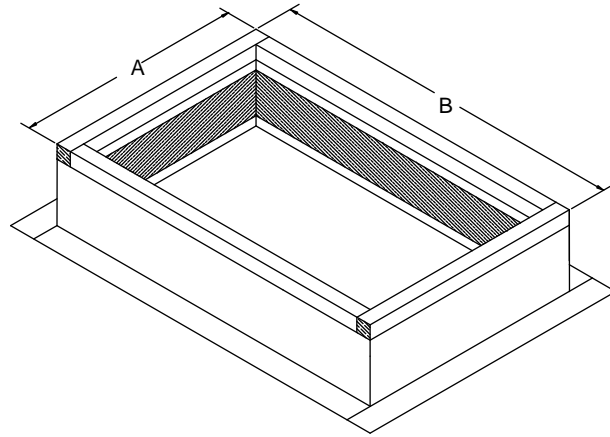
48" x 120" – larger sizes to be shipped in multiple sections for field assembly.

FINISH

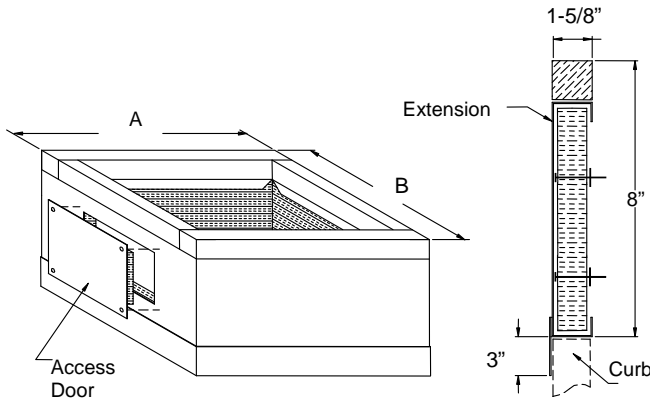
Mill

OPTIONS:

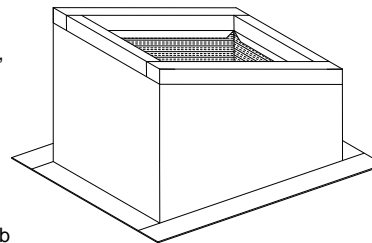
- Aluminum Construction or Stainless Steel
- Heavier Gauge up 14 gauge galvanized steel
- Prime Coated or Baked / Powder Coat Finish
- Burglar Bars (1/2" dia.)
- Damper Tray
- Curb extension
- Pitched
- Gasket
- Louvered Vents
- Access Door



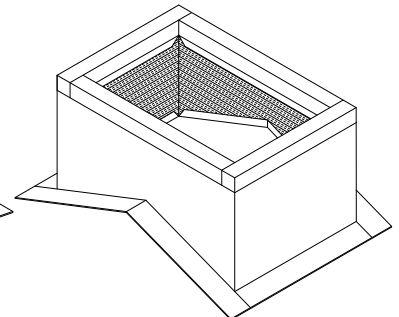
Standard Curb



Curb Extension



Single Pitch



Double Pitch

DATE	ARCHITECT			CUSTOMER
PROJECT				
ITEM	QTY	W	H	DESCRIPTION



A division of Safe Air of Illinois
 DEPENDABLE PRODUCTS SINCE 1955
DOWCO PRODUCTS GROUP
Engineering and General Offices
 1855 South 54th Avenue, Cicero, Illinois 60804
 Phone 708-652-9100 FAX 708-652-9158