

**EXTRUDED ALUMINUM STATIONARY LOUVER  
6" (152) DEEP • K BLADE • DRAINABLE HEAD  
MODEL: D-LEB-06**

Model D-LEB-06, 6" (152) deep louver, combines excellent weather protection and performance with aesthetics that compliment any architectural design. Standard construction features a drainable head that collects the water running down the building face and channels it out the concealed downspouts in the side frame, thus preventing it from flowing down into the airstream. Suitable for use in exhaust and low to medium velocity intake applications, the K blade design features a rear water baffle plus an additional center rain hook, providing good protection against foul weather conditions. Blades are reinforced with full length integral bosses for superior strength, and with a large free area, the design is engineered to provide good performance throughout the full airflow range. The 6" (152) deep frame is available in either channel or flanged configuration to suit most architectural and mechanical installation requirements. Model D-LEB-06 is AMCA Licensed.

**STANDARD CONSTRUCTION:**

- FRAME:** 6" (152) deep, Type 6063-T6 extruded aluminum, .080" (2.03) nominal wall thickness. Integral caulking slot provided.
- BLADES:** Type 6063-T6 extruded aluminum, .080" (2.03) nominal wall thickness, with reinforcing bosses. K style.
- BLADE ANGLE:** Fixed at 37 degrees.
- BLADE SPACING:** Approx. 6" (152) on centers.
- BLADE SUPPORT BRACKETS:** Concealed type, factory installed on rear of louver on maximum 60" (1524) centers. Reinforced with 1 1/2" x 2" (38 x 51) angle (adds approx. 2" [51] to overall louver depth).
- MULLIONS:** Concealed type allowing continuous line appearance up to 120" (3048) wide. Larger assemblies require separate visible frames with downspouts.
- SCREEN:** 3/4" x .051 (19 x 1.3) expanded, flattened aluminum bird screen in removable frame, inside (rear) mount (adds approximately 3/8" [10] to louver depth).
- FINISH:** Mill.
- MINIMUM SIZE:** 12" W x 12" H (305 x 305).
- MAX. SINGLE SECTION SIZE:** 120" W x 84" H (3048 x 2134) or 84" W x 120" H (2134 x 3048). 70 sq. ft. (6.5m<sup>2</sup>). Larger louvers will require field assembly of smaller sections.

**OPTIONS:**

- FL15** Flanged Frame, 1 1/2" (38).
- FL20** Flanged Frame, 2" (51).
- BSSS** Type 304 S.S. Bird Screen.
- BSN** No Bird Screen.
- ISA** Aluminum Insect Screen.
- ISSS** Type 304 S.S. Insect Screen.
- WE** Welded Construction.
- ESI** Extended Sill.
- FR1** 1" (25) Filter Rack.
- FR2** 2" (51) Filter Rack.
- PAC** Perimeter Anchor Clips.
- Other:** \_\_\_\_\_ .

**OPTIONAL FINISHES:**

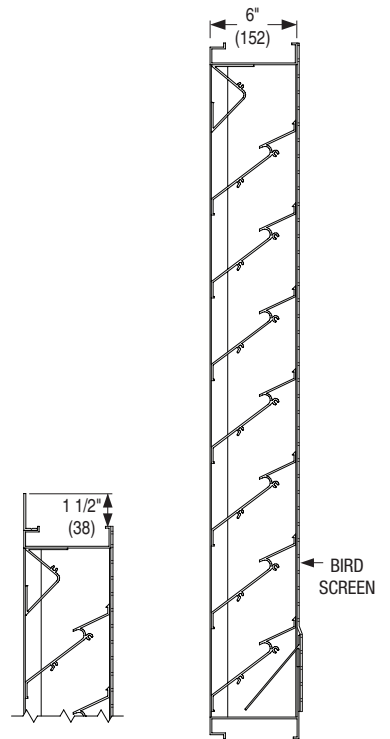
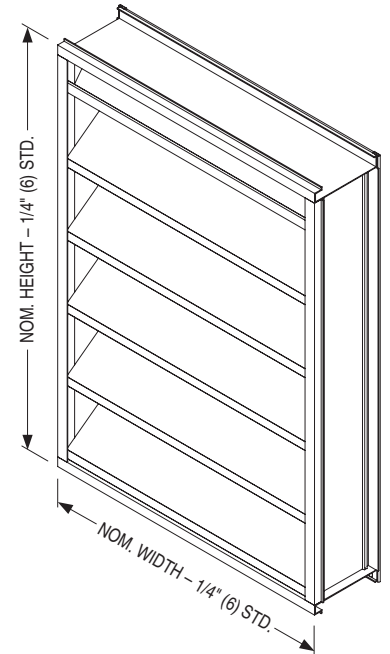
- PC3** Powder Coat AAMA 2603. Color: \_\_\_\_\_ .
- PC4** High Performance Powder Coat AAMA 2604 (Equivalent to 50% Kynar®). Color: \_\_\_\_\_ .
- PC5** Fluoropolymer Powder Coat AAMA 2605 (Equivalent to 70% Kynar®). Color: \_\_\_\_\_ .
- PCC** Prime Coat.
- AN04** Clear Anodized 204-R1.
- AN15** Clear Anodized 215-R1.

Color Anodized:

- ANLB** Light Bronze.
- ANDB** Dark Bronze.
- ANMB** Medium Bronze.
- ANBK** Black.

**OPTIONAL W x H SIZING** (1/4" [6.5] Undersize standard):

- U00** Exact Size.
- U38** Undersize 3/8" (9.5).
- U50** Undersize 1/2" (12.7).



OPT. FLANGED FRAME (FL15 STD.)

<b>SCHEDULE TYPE:</b>		Page 1 of 3			
<b>PROJECT:</b>		Dimensions are in inches (mm).			
<b>ENGINEER:</b>	<b>DATE</b>	<b>B SERIES</b>	<b>SUPERSEDES</b>	<b>DRAWING NO.</b>	
<b>CONTRACTOR:</b>	4 - 22 - 24	LOUVER	3 - 15 - 23	D-LEB-06	



**EXTRUDED ALUMINUM STATIONARY LOUVER  
6" (152) DEEP • K BLADE • DRAINABLE HEAD  
PERFORMANCE DATA  
MODEL: D-LEB-06**

**FREE AREA in Square Feet and Square Meters**

		Width in Inches and Meters																	
		12 0.30	18 0.46	24 0.61	30 0.76	36 0.91	42 1.07	48 1.22	54 1.37	60 1.52	66 1.68	72 1.83	78 1.98	84 2.13	90 2.29	96 2.44	102 2.59	108 2.74	114 2.90
12 0.30	0.18 0.02	0.29 0.03	0.39 0.04	0.50 0.05	0.61 0.06	0.72 0.07	0.82 0.08	0.93 0.09	1.04 0.10	1.15 0.11	1.25 0.12	1.36 0.13	1.47 0.14	1.57 0.15	1.68 0.16	1.79 0.17	1.90 0.18	2.00 0.19	2.11 0.20
18 0.46	0.44 0.04	0.71 0.07	0.97 0.09	1.24 0.12	1.51 0.14	1.77 0.16	2.04 0.19	2.30 0.21	2.57 0.24	2.84 0.26	3.10 0.29	3.37 0.31	3.63 0.34	3.90 0.36	4.17 0.39	4.43 0.41	4.70 0.44	4.96 0.46	5.23 0.49
24 0.61	0.68 0.06	1.09 0.10	1.50 0.14	1.92 0.18	2.33 0.22	2.74 0.25	3.15 0.29	3.56 0.33	3.97 0.37	4.38 0.41	4.79 0.44	5.20 0.48	5.61 0.52	6.02 0.56	6.43 0.60	6.84 0.64	7.25 0.67	7.66 0.71	8.07 0.75
30 0.76	0.90 0.09	1.51 0.14	2.08 0.19	2.64 0.25	3.21 0.30	3.78 0.35	4.35 0.40	4.91 0.46	5.48 0.51	6.05 0.56	6.61 0.61	7.18 0.67	7.75 0.72	8.31 0.77	8.88 0.82	9.45 0.88	10.01 0.93	10.58 0.98	11.15 1.04
36 0.91	1.21 0.11	1.93 0.18	2.65 0.25	3.38 0.31	4.10 0.38	4.82 0.45	5.55 0.52	6.27 0.58	6.99 0.65	7.72 0.72	8.44 0.78	9.16 0.85	9.89 0.92	10.61 0.99	11.33 1.05	12.06 1.12	12.78 1.19	13.50 1.25	14.23 1.32
42 1.07	1.47 0.14	2.35 0.22	3.23 0.30	4.11 0.38	4.99 0.46	5.87 0.54	6.75 0.63	7.63 0.71	8.51 0.79	9.39 0.87	10.26 0.95	11.14 1.04	12.02 1.12	12.90 1.20	13.78 1.28	14.66 1.36	15.54 1.44	16.42 1.53	17.30 1.61
48 1.22	1.73 0.16	2.76 0.26	3.80 0.35	4.84 0.45	5.87 0.55	6.91 0.64	7.93 0.74	8.98 0.83	10.02 0.93	11.06 1.03	12.09 1.12	13.13 1.22	14.17 1.32	15.20 1.41	16.24 1.51	17.28 1.60	18.31 1.70	19.35 1.80	20.39 1.89
54 1.37	1.99 0.18	3.18 0.30	4.37 0.41	5.57 0.52	6.76 0.63	7.95 0.74	9.15 0.85	10.34 0.96	11.53 1.07	12.72 1.18	13.92 1.29	15.11 1.40	16.30 1.51	17.50 1.63	18.69 1.74	19.88 1.85	21.07 1.96	22.27 2.07	23.46 2.18
60 1.52	2.25 0.21	3.60 0.33	4.95 0.46	6.30 0.59	7.65 0.71	9.00 0.84	10.35 0.96	11.70 1.09	13.05 1.21	14.40 1.34	15.75 1.46	17.10 1.59	18.45 1.71	19.80 1.84	21.15 1.96	22.50 2.09	23.85 2.22	25.20 2.34	26.55 2.47
66 1.68	2.51 0.23	4.02 0.37	5.52 0.51	7.03 0.65	8.54 0.79	10.04 0.93	11.55 1.07	13.06 1.21	14.56 1.35	16.07 1.49	17.57 1.63	19.08 1.77	20.59 1.91	22.09 2.05	23.60 2.19	25.11 2.33	26.61 2.47	28.12 2.61	29.63 2.75
72 1.83	2.77 0.26	4.43 0.41	6.10 0.57	7.76 0.72	9.42 0.88	11.09 1.03	12.75 1.18	14.41 1.34	16.08 1.49	17.74 1.65	19.40 1.80	21.07 1.96	22.73 2.11	24.39 2.27	26.05 2.42	27.72 2.57	29.38 2.73	31.04 2.88	32.71 3.04
78 1.98	3.03 0.28	4.85 0.45	6.67 0.62	8.49 0.79	10.31 0.96	12.13 1.13	13.95 1.30	15.77 1.46	17.59 1.63	19.41 1.80	21.23 1.97	23.05 2.14	24.87 2.31	26.69 2.48	28.51 2.65	30.33 2.82	32.15 2.99	33.96 3.16	35.78 3.32
84 2.13	3.29 0.31	5.27 0.49	7.25 0.67	9.22 0.86	11.20 1.04	13.18 1.22	15.15 1.41	17.13 1.59	19.10 1.77	21.08 1.96	23.06 2.14	25.03 2.33	27.01 2.51	28.99 2.69	30.96 2.88	32.94 3.06	34.92 3.24	36.89 3.43	38.87 3.61
90 2.29	3.56 0.33	5.69 0.53	7.82 0.73	9.95 0.92	12.09 1.12	14.22 1.32	16.35 1.52	18.49 1.72	20.62 1.92	22.75 2.11	24.89 2.31	27.02 2.51	29.15 2.71						
96 2.44	3.82 0.35	6.11 0.57	8.39 0.78	10.68 0.99	12.97 1.21	15.26 1.42	17.55 1.63	19.84 1.84	22.13 2.06	24.42 2.27	26.71 2.48	29.00 2.69	31.29 2.91						
102 2.59	4.08 0.38	6.52 0.61	8.97 0.83	11.42 1.06	13.86 1.29	16.31 1.52	18.75 1.74	21.20 1.97	23.65 2.20	26.09 2.42	28.54 2.65	30.99 2.88	33.43 3.11						
108 2.74	4.34 0.40	6.94 0.64	9.54 0.89	12.14 1.13	14.75 1.37	17.35 1.61	19.95 1.85	22.55 2.10	25.16 2.34	27.76 2.58	30.36 2.82	32.96 3.06	35.57 3.30						
114 2.90	4.70 0.44	7.53 0.70	10.35 0.96	13.17 1.22	15.99 1.49	18.81 1.75	21.63 2.01	24.46 2.27	27.28 2.53	30.10 2.80	32.92 3.06	35.74 3.32	38.57 3.58						
120 3.05	4.86 0.45	7.78 0.72	10.69 0.99	13.61 1.26	16.52 1.54	19.44 1.81	22.35 2.08	25.27 2.35	28.19 2.62	31.10 2.89	34.02 3.16	36.93 3.43	39.85 3.70						

<b>SCHEDULE TYPE:</b>	Page 2 of 3			
<b>PROJECT:</b>	Dimensions are in inches (mm).			
<b>ENGINEER:</b>	<b>DATE</b>	<b>B SERIES</b>	<b>SUPERSEDES</b>	<b>DRAWING NO.</b>
<b>CONTRACTOR:</b>	4 - 22 - 24	LOUVER	3 - 15 - 23	D-LEB-06



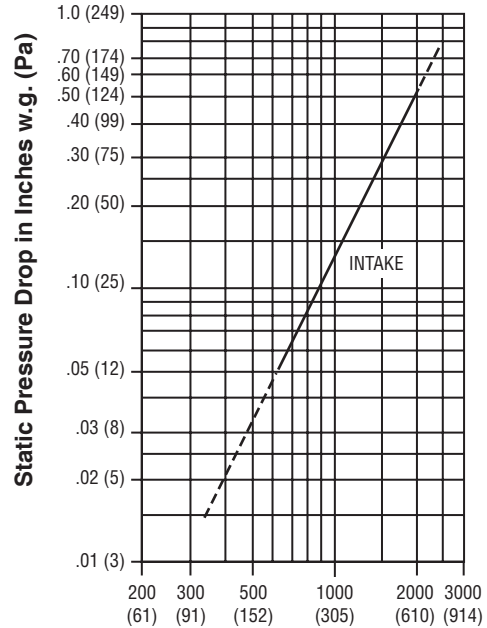
**EXTRUDED ALUMINUM STATIONARY LOUVER  
6" (152) DEEP • K BLADE • DRAINABLE HEAD  
PERFORMANCE DATA  
MODEL: D-LEB-06**

**AIRFLOW/WATER PENETRATION DATA  
for 48" x 48" (1219 x 1219) Louver Size**

	Free Area %	50%
	Free Area sq. ft. (sq. m.)	7.93 (0.74)
I N T A K E	Free Area Velocity at Point of Beginning Water Penetration at .01 oz./sq. ft. (3 ml/sq. m) (15 min. test duration)	1017 fpm (310 m/min.)
	Air Volume at 1017 fpm	8065 cfm (3806 l/s)
	Free Area Velocity	
	Pressure Drop @ 1017 fpm	.14 in. w.g. (35 Pa)

**NOTE:** To minimize water penetration when sizing intake louvers, select a Free Area Velocity that is **below** the point of beginning water penetration.

**PRESSURE DROP**



**Air Velocity in Feet (Meters) Per Minute Through Free Area**

Louver test size: 48" x 48" (1219 x 1219 mm).  
Standard air density @ 0.075 lbs/ft<sup>3</sup>.  
Tested to AMCA Fig. 5.5 – 6.5.

<b>SCHEDULE TYPE:</b>	Page 3 of 3			
<b>PROJECT:</b>	Dimensions are in inches (mm).			
<b>ENGINEER:</b>	<b>DATE</b>	<b>B SERIES</b>	<b>SUPERSEDES</b>	<b>DRAWING NO.</b>
<b>CONTRACTOR:</b>	4 - 22 - 24	LOUVER	3 - 15 - 23	D-LEB-06