

Ceiling Radiation Fire Damper Model 420

Features – U.L. rated 3 hour ceiling fire damper. Meets NFPA 90A & UL 555C. (Not rated for UL wood truss ceiling design)

STANDARD CONSTRUCTION

COLLAR

2-1/2" (54) deep, 22 gauge (1.0) galvanized steel

BLADES

22 gauge (1.0) galvanized steel with a Ceramic Fiberglass outer cover for dampers over 80 sq. in. (516 sq. cm)

MAXIMUM U.L. CLASSIFIED SIZE

24" W x 24"H (610 x 610)

MINIMUM U.L. CLASSIFIED SIZE

4"W x 4"H (102 x 102)

UNDERSIZED

1/4"(6) under ordered size unless specified Exact or Actual

FUSIBLE LINK

165°F Standard (100°C)

FINISH

Galvanized

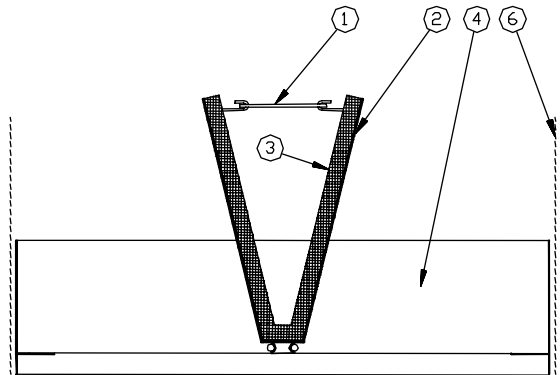
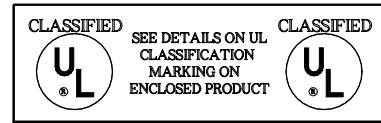
OPERATOR

None

OPTIONAL CONSTRUCTION

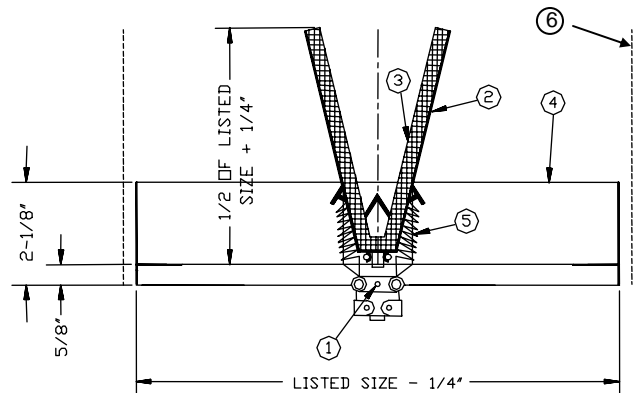
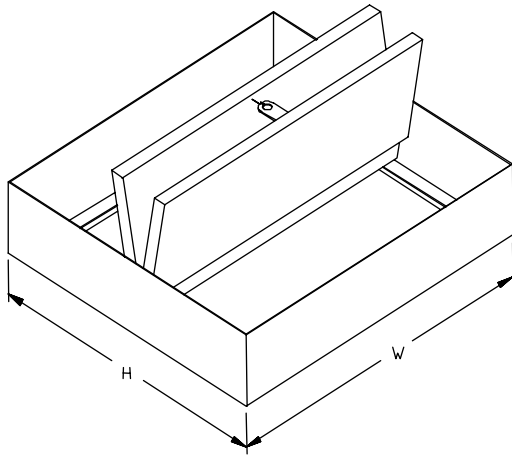
OPERATOR – Hand adjustable volume controller.

FUSIBLE LINK - 212°



This unit is dimensionally equal to the unit below – less the controller

- KEY TO DRAWINGS** – 1. Fusible Link
2. Blades
3. Ceramic and Fiberglass
4. Frame
5. Volume Controller
6. Duct drop (by others)



DATE	ARCHITECT			ENGINEER
PROJECT				
ITEM	QTY	W	H	DESCRIPTION