

The Nailor 1510-1527 Series is a heavy duty U-channel frame industrial damper with vee-groove style blades. Features include an adjustable face linkage design and stainless steel pivot pins which provide smooth control and easy maintenance. It is designed for "in-duct" mounting applications to control airflow and provide positive shut-off in HVAC or process air systems. Available with parallel or opposed blade operation. A variety of options make this damper extremely versatile and enable it to be tailored to the specific application.

RATINGS (see page 2 for specific limitations):

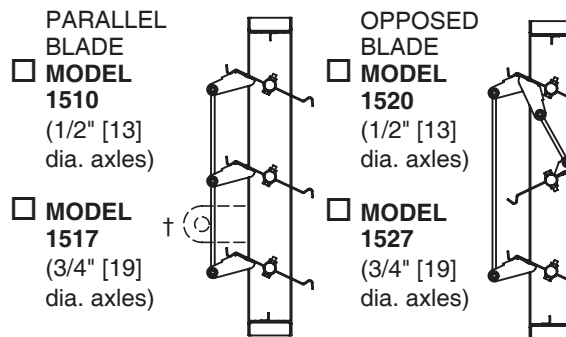
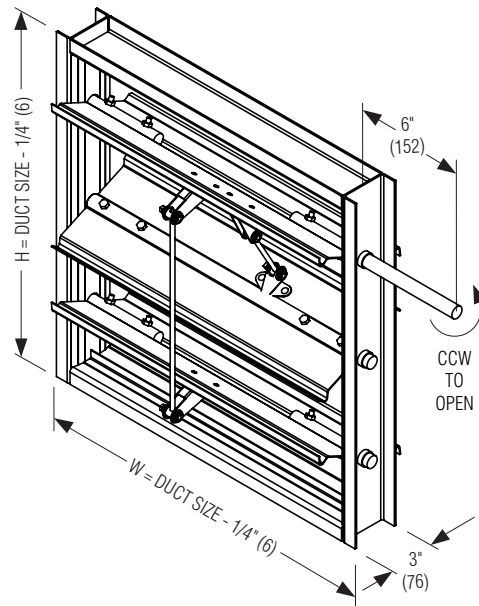
- Pressure: 2.9 - 20.1" w.g. (721 - 4997 Pa).
- Velocity: 3000 - 3500 fpm (15.2 - 17.8 m/s).
- Temperature: 250°F (121°C) standard. Dampers can be supplied for temperatures between 250°F (121°C) and 400°F (204°C) by increasing blade/frame clearance. Consult factory.

STANDARD CONSTRUCTION:

- FRAME:** 3" x 1" x 12 ga. (76 x 25 x 2.8) galvanized steel U-channel.
- BLADES:** 16 ga. (1.6) galvanized steel vee-blade, 8" (203) maximum width. Parallel or opposed blade action.
- LINKAGE:** Plated steel face linkage riveted to blade, in airstream.
- AXLES:** Models 1510/1520: 1/2" (13) dia. plated steel.
 Models 1517/1527: 3/4" (19) dia. plated steel.
 Axles are double bolted to blades.
- BEARINGS:** Self-lubricating sintered stainless steel sleeve type, pressed into frame.
- DRIVESHAFT:** 1/2" (13) or 3/4" (19) dia. (see Axles) plated steel.
 A 1" (25) dia. jackshaft is standard on multiple section dampers.
- FINISH:** Mill galvanized.
- MINIMUM SIZE:** Single blade parallel action: 5" x 5" (127 x 127).
 Two blade either action: 8" x 14" (203 x 356).
- MAXIMUM SIZE:** Single section: 48" x 96" (1219 x 2438).
 Multiple section assembly: Unlimited size.

OPTIONS:

- 304 Type 304 stainless steel construction (all parts within airstream, single section only)
- 316 Type 316 stainless steel construction (all parts within airstream, single section only)
- 14GF 5" x 7/8" x 14 ga. (127 x 22 x 2.0) hat channel frame (galvanized only)
- 14GB 2 x 14 ga. (2.0) blades (galvanized only)
- ASxx Type 304 stainless steel axles only
- BPV PVC blade seals (up to 180°F [83°C])
- BSE EPDM blade seals (up to 250°F [121°C])
- BSS Silicone blade seals (up to 400°F [204°C])
- JSS Stainless steel jamb seals
- LFS Type 304 stainless steel face linkage only



- HLQ Hand locking quadrant for 1/2" (13) dia. shaft
- HDLQ Heavy duty locking hand quadrant for 3/4" (19) dia. shaft or 1" (25) dia. jackshaft
- FMO Factory mounted actuator. Specify: _____.
- Special Features. Specify: _____.

Note: For variations not shown, contact factory.

SCHEDULE TYPE:	Page 1 of 2			
PROJECT:	Dimensions are in inches (mm).			
ENGINEER:	DATE	B SERIES	SUPERSEDES	DRAWING NO.
CONTRACTOR:	8 - 18 - 20	1500	4 - 10 - 07	1510



HEAVY DUTY CONTROL DAMPERS
STEEL • VEE BLADES • FACE LINKAGE
MODELS: 1510 & 1520
1517 & 1527

PERFORMANCE LIMITATIONS:

Damper Width	Models 1510/1520		Models 1517/1527	
	Max. System Pressure	Max. System Velocity	Max. System Pressure	Max. System Velocity
48" (1219)	2.9 in. w.g.	3000 fpm	6.9 in. w.g.	3500 fpm
36" (914)	3.7 in. w.g.	3000 fpm	11.0 in. w.g.	3500 fpm
24" (610)	6.0 in. w.g.	3000 fpm	15.6 in. w.g.	3500 fpm
12" (305)	8.3 in. w.g.	3000 fpm	20.1 in. w.g.	3500 fpm

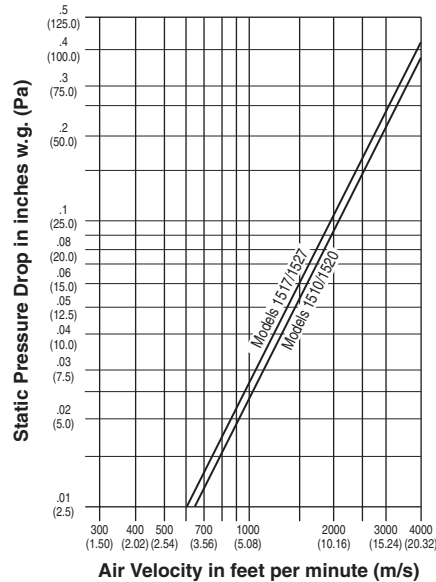
Pressure and velocity limitations shown are guidelines for design purposes. Although ratings are on the conservative side, contact Nailor for requirements beyond limitations shown.

LEAKAGE:

Damper Width	Models 1510/1520				Models 1517/1527			
	Leakage w/o Seals		Leakage with Seals		Leakage w/o Seals		Leakage with Seals	
	CFM per Sq. Ft.	% of Max. Flow	CFM per Sq. Ft.	% of Max. Flow	CFM per Sq. Ft.	% of Max. Flow	CFM per Sq. Ft.	% of Max. Flow
48" (1219)	31.5	1.05	4.2	0.14	31.5	0.90	4.2	0.12
36" (914)	31.5	1.05	4.2	0.14	31.5	0.90	4.2	0.12
24" (610)	39.0	1.30	8.5	0.28	39.0	1.12	8.5	0.24
12" (305)	59.0	1.97	13.0	0.43	59.0	1.69	13.0	0.37

Leakage data is based upon a pressure differential of 1 in. w.g., tested in accordance with AMCA Standard 500-D, Figure 5.5.

PRESSURE DROP: SIZE: 36" x 36" (914 x 914)



Tested per AMCA Standard 500-D using test set-up figure 5.3, ductwork upstream and downstream.

SCHEDULE TYPE:	Page 2 of 2			
PROJECT:	Dimensions are in inches (mm).			
ENGINEER:	DATE	B SERIES	SUPERSEDES	DRAWING NO.
CONTRACTOR:	8 - 18 - 20	1500	4 - 10 - 07	1510