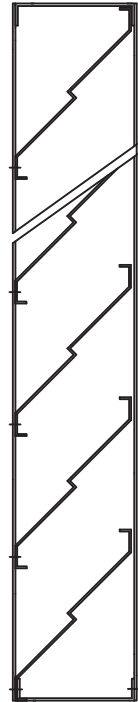
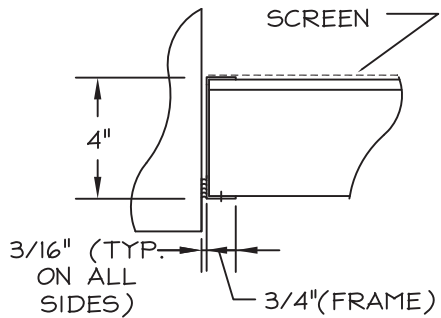


FRONT ELEVATION



SECTION "B"



SECTION "A"

STANDARD CONSTRUCTION

MODEL: LFA-04-2B0D-A  
 FRAME: 20 GA. GALV. STEEL  
 BLADES: 20 GA. GALV. STEEL  
 FASTENERS: STEEL POP-RIVETS EXPOSED TO VIEW  
 SCREEN: 1/2" SQ. MESH X 19 GA. SCREEN  
 FINISH: PRIME COAT

NOTES:

1. ALL LOUVERS TO BE FABRICATED 3/8" UNDER LISTED OPNG. SIZES UNLESS SPECIFIED "ACTUAL".
2. ALL OPNG SIZES TO BE FIELD VERIFIED AND GUARANTEED BY OTHERS PRIOR TO FABRICATION.
3. OTHER SURROUNDING FINISHES ARE FOR REFERENCES ONLY AND TO BE SUPPLIED BY OTHERS.

**SAFE-AIR**  DEPENDABLE PRODUCTS SINCE 1965  
**DOWCO**  1855 SOUTH 54TH AVENUE, CICERO, IL. 60650

ARCH/ENGR:	CUSTOMER:
------------	-----------

REV.	DESCRIPTION	DATE	BY	PROJECT:	TITLE:
				DATE:	DRAWN:
				SCALE: 1:1	CHKD:
					DRWG #: