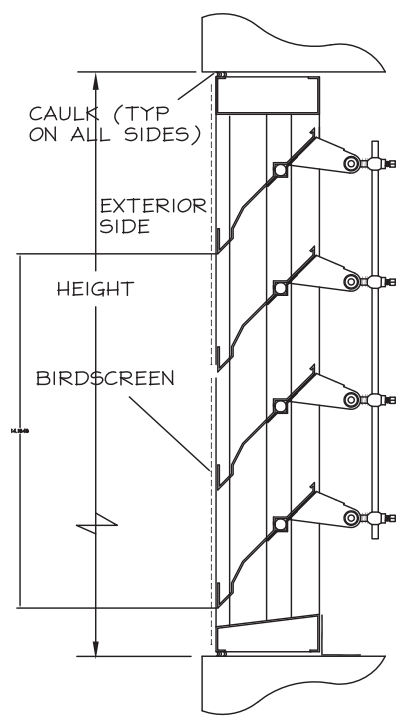


FRONT ELEV.



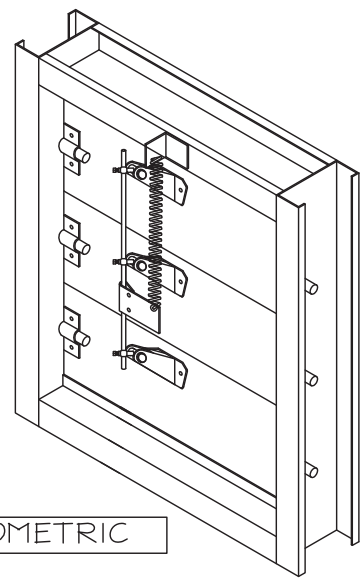
SECTION "B"

STANDARD CONSTRUCTION
 MODEL: ADBF-04-300F-B
 FRAME: 16 GA. GALV. STEEL
 BLADES: 16 GA. GALV. STEEL
 BEARINGS: 1/2" DIA. BRONZE OILITE
 AXLES: 1/2" DIA. PLATED STEEL
 LINKAGE: PLATED STEEL
 SCREEN: 1/2 MESH X 19 GA. GALV. IN FRAME ON FACE
 FINISH: NATURAL MILL
 OPERATOR: WING NUT TYPE

- NOTES:**
1. ALL LOUVERS TO BE FABRICATED 3/8" UNDER LISTED OPNG. SIZES UNLESS SPECIFIED "ACTUAL".
 2. ALL OPNG SIZES TO BE FIELD VERIFIED AND GUARANTEED BY OTHERS PRIOR TO FABRICATION.
 3. OTHER SURROUNDING FINISHES ARE FOR REFERENCES ONLY AND TO BE SUPPLIED BY OTHERS.

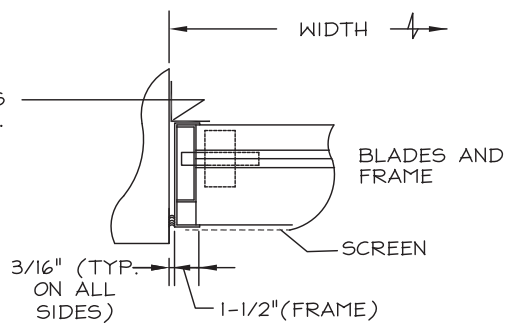
LOUVER SCHEDULE
 TAG QTY OPNG SIZE (WXH) NOTES

SCREEN ON FACE

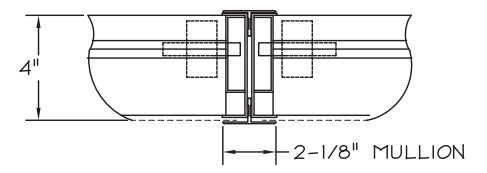


ISOMETRIC

1-1/2x1-1/2x16GA.
 MOUNTING CLIPS
 ANGLE @ 18" OC.
 (TYP)



SECTION "A"



SECTION "C"

DOWCO DEPENDABLE PRODUCTS SINCE 1955
 1855 SOUTH 54TH AVENUE, CICERO, IL. 60650

ARCH/ENGR: _____ CUSTOMER: _____

REV.	DESCRIPTION	DATE	BY	PROJECT:	TITLE:

DATE: 4/27/99 DRAWN: JN DRWG #: _____
 CHKD: _____