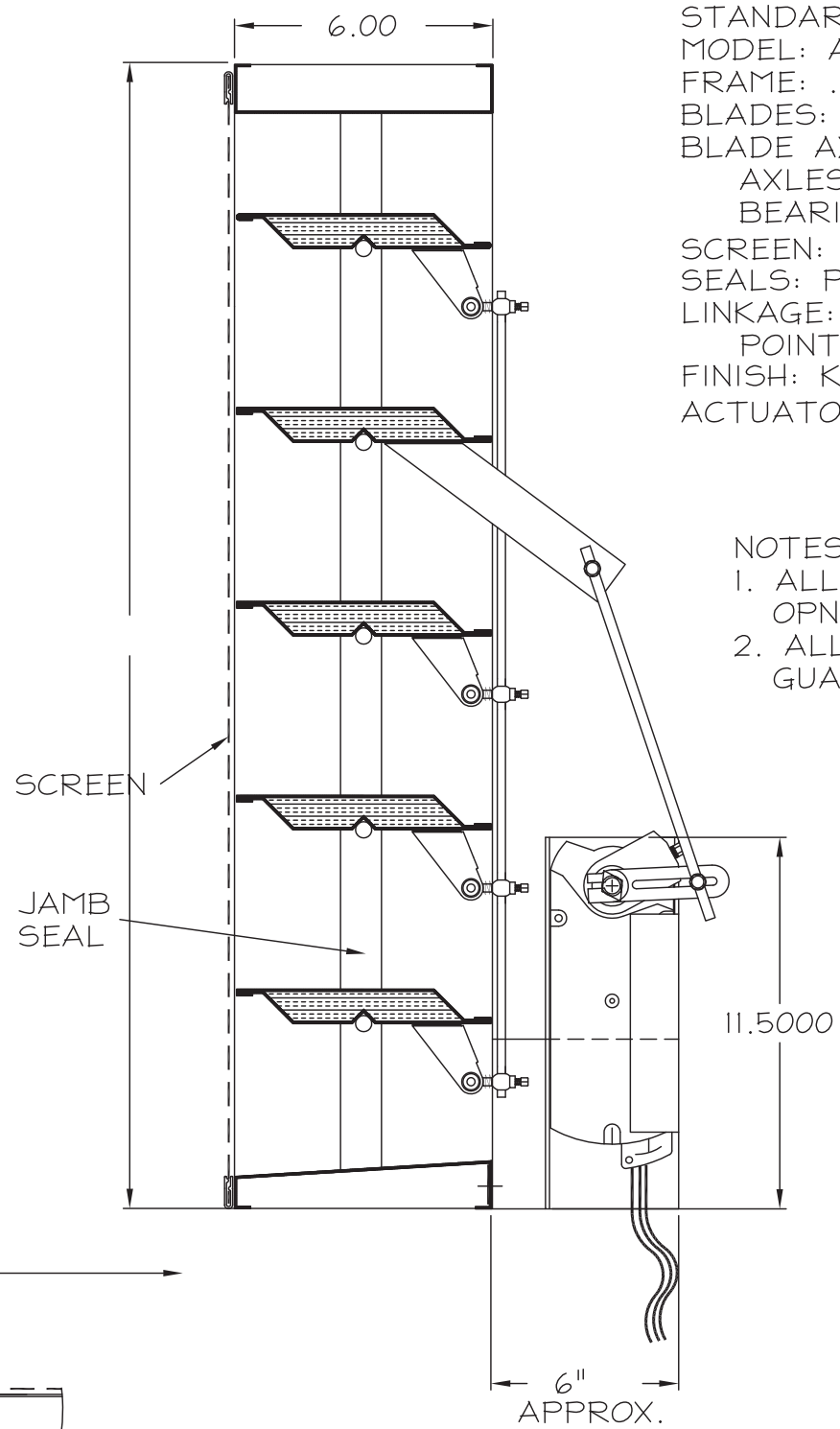


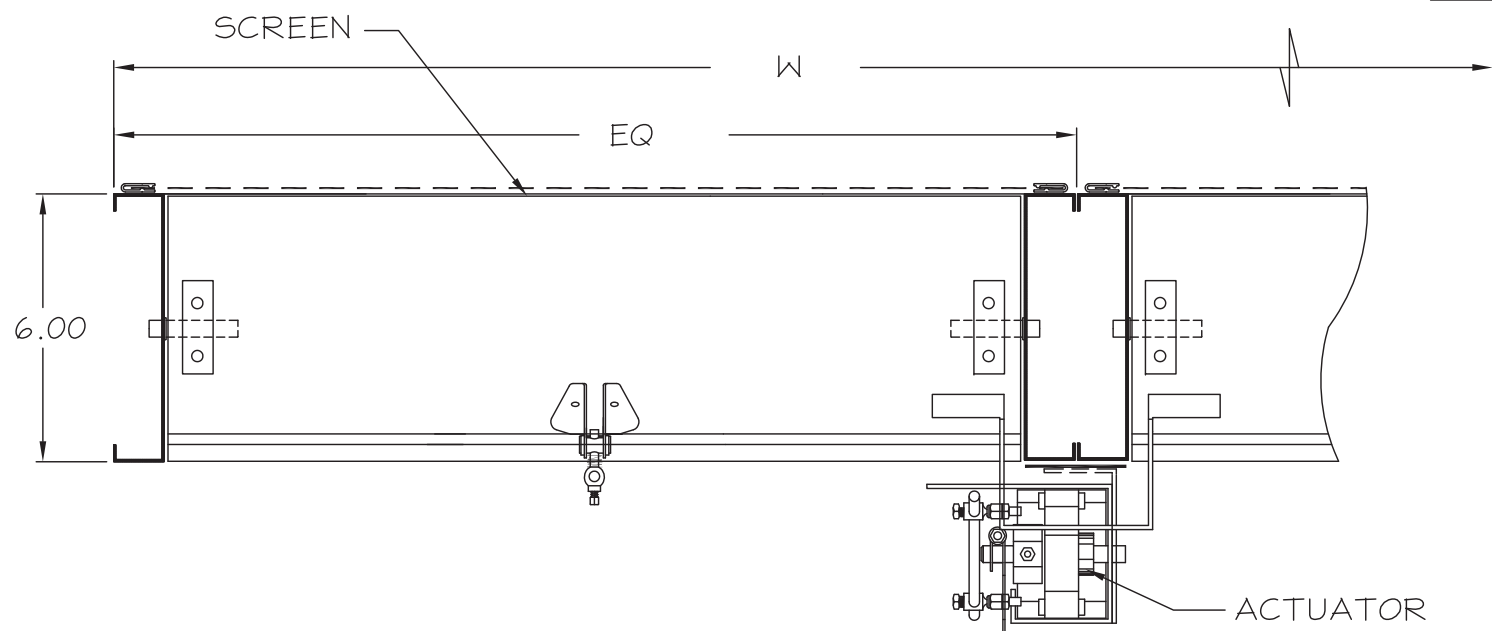
ELEVATION @ INTERIOR SIDE



SECTION - "B"

STANDARD CONSTRUCTION
 MODEL: AFI-06/SERIES
 FRAME: .081" FORMED ALUM. 5005-H34
 BLADES: .125" THK. FORMED ALUM. 5005-H34
 BLADE AXLES AND BEARINGS:
 AXLES - 1/2" DIA. PLATED STUB-SHAFT
 BEARINGS - 1/2" BRONZE OILITE
 SCREEN: 1/2" MESH X .063" ALUM. WIRE SCREEN IN FRAME
 SEALS: POLYURETHANE FOAM BLADE & ALUM. JAMB SEALS
 LINKAGE: PLATED STEEL, MOUNTED AT THE CENTER POINT OF BLADE
 FINISH: KYNAR 500 3-STEP COLOR AS SELECTED
 ACTUATOR: SIEMENS GGD221.IU 120 Vac 2-POSITON W/ SPRING RETURN

- NOTES:
 1. ALL DAMPERS TO BE FABRICATED 1/4" UNDER LISTED OPNG SIZES UNLESS OTHERWISE SPECIFIED "ACTUAL".
 2. ALL OPNG SIZES TO BE FIELD VERIFIED AND GUARANTEED BY OTHERS PRIOR TO FABRICATION.



SECTION - "A"

SAFE-AIR
DOWCO
 1855 SOUTH 54TH AVENUE, CICERO, IL. 60650
 DEPENDABLE PRODUCTS SINCE 1955

ARCH/ENGR: _____ CUSTOMER: _____

REV.	DESCRIPTION	DATE	BY	PROJECT:	TITLE:
					AFI-06/SERIES
				DATE:	DRAWN:
					CHKD:
					DRWG #: