



OpenAir™ GQD Series, Spring Return, Rotary, Electronic Damper Actuators 20 lb-in (2 Nm)

Product Number*	Voltage		Control Signals			Plenum Cabling
	24 Vac/dc	120 Vac	2-Position	Floating	Modulating 2 to 10 Vdc/ 10 to 2 Vdc	
GQD121.1P	●	—	●	—	—	●
GQD131.1P	●	—	—	●	—	●
GQD151.1P	●	—	—	—	●	●
GQD221.1U	—	●	●	—	—	—

* Add /B to part number to order a bulk pack of 10 each.

Technical Data

Torque		20 lb-in (2 Nm)
Runtime for 90°		30 seconds
Spring Return		15 seconds typical
Nominal angle of rotation		90° typical
Power consumption:		
24 Vac ±20%/	24 Vdc ±15%, Running:	GQD121.1P 6.5 VA (4.5W) GQD131.1P 4 VA (2.5W) GQD151.1P 4.5 VA (3W)
	Holding:	GQD121.1P 4 VA (2.5W) GQD131.1P 3 VA (1.5W) GQD151.1P 3.5 VA (2W)
120 Vac ±15%	Running Holding	GQD221.1U 10 VA 7 VA
Damper shaft size		3/8-inch to 1/2-inch round (8 mm to 13 mm) 1/4-inch to 7/16-inch square (6 mm to 11 mm)
Damper shaft size, minimum		3/4-inch (20 mm) minimum length
Agency listings		UL listed to UL873 cUL listed; CE certified
Ambient temperature	120 Vac	EMC and Low Voltage Directives
operating		–25°F to 130°F (–32°C to 55°C)
storage/transport		–40°F to 158°F (–40°C to 70°C)
Ambient humidity (non-condensing)		95% rh (non-condensing)
Pre-cabled connection		18 AWG (0.75mm ²), 3 ft (0.9m) long
Enclosure		NEMA 1
Housing material		Plenum rated rugged plastic
Dimensions:		4-23/32" × 2-22/32" × 2-15/32" (120 mm × 69 mm × 63 mm)
	GQD221.1U (only)	5.5" × 2-22/32" × 2-15/32" (138.5 mm × 69 mm × 63 mm)
Weight		1.06 lbs (0.48 kg)

Description

The OpenAir GQD Series direct-coupled, spring return rotary electronic damper actuators are 24 Vac/dc rated and available in 2-position, floating, and modulating (2 to 10 Vdc) control. The small footprint and torque make this actuator ideal for small HVAC dampers or residential zone dampers requiring fail-safe operation.

Features

- Bi-directional, fail-safe spring return
- Pre-cabled
- Plenum rated models available
- Fast run time
- Signal inversion capability on modulating type (2 to 10 Vdc or 10 to 2 Vdc)
- Small footprint for installation flexibility
- UL and cUL listed; CE certified
- Low voltage models are 24 Vac/dc compatible
- 120 Vac, 1/2" NPT conduit, model available

Wiring Diagrams

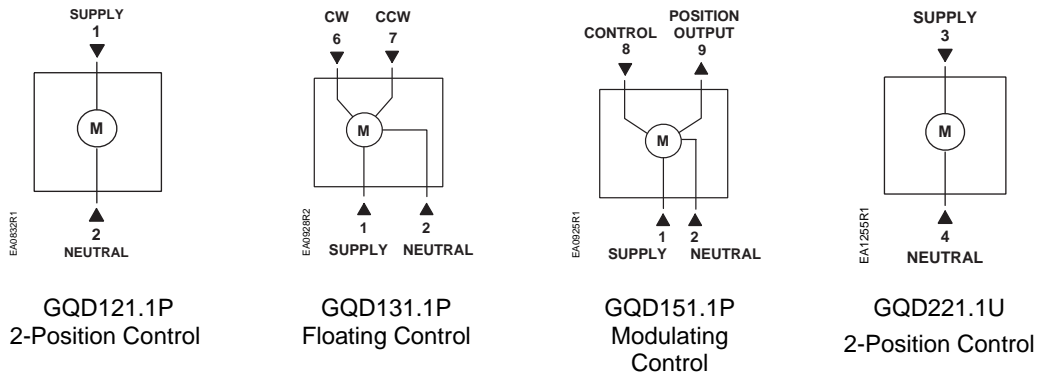


Figure 1. Wiring Diagrams.

Dimensions

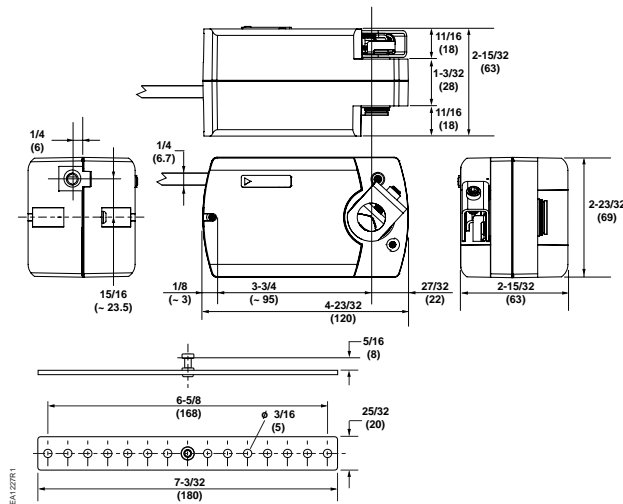


Figure 2. GQD Actuator and Mounting Bracket Dimensions in Inches (Millimeters).

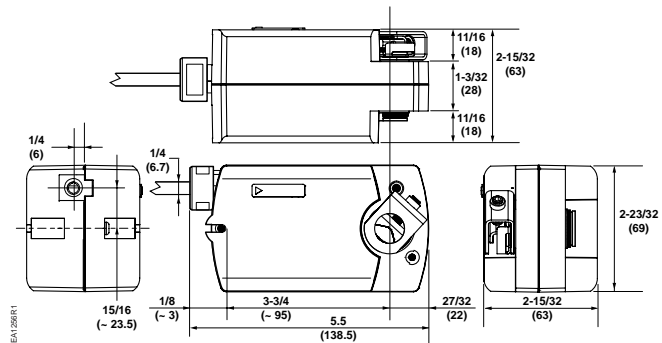


Figure 3. GQD 221.1U Actuator Only, Dimensions in Inches (Millimeters).

Information in this publication is based on current specifications. The company reserves the right to make changes in specifications and models as design improvements are introduced. OpenAir is a registered trademark of Siemens Building Technologies. Product or company names mentioned herein may be the trademarks of their respective owners. © 2008 Siemens Building Technologies, Inc.